

seed studio

INDUSTRIAL PRODUCT DATASHEET

# SuperCAP UPS LTC3350 Module for reComputer R10/R11 & Industrial R20/R21/R22 | Backup Power | High-efficiency

High-current 12V ride-through UPS module for safe shutdown of reComputer, industrial, server, and high-availability systems.

SKU

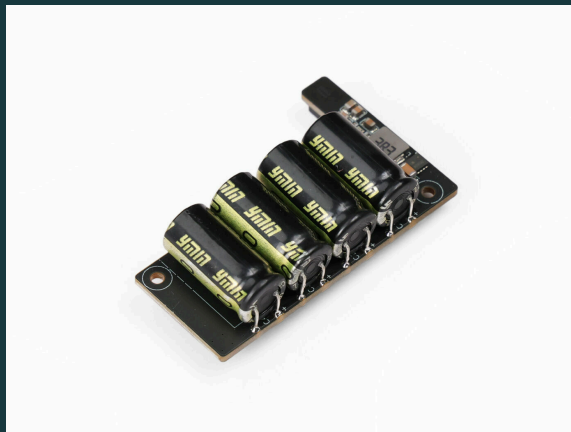
110992004

UPDATED

2026-05-14 02:31:54

PRICE

\$24.90(Excl. VAT)



# Overview

---



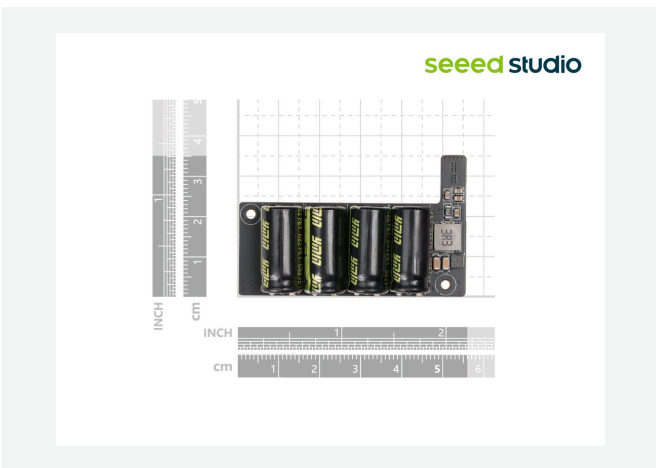
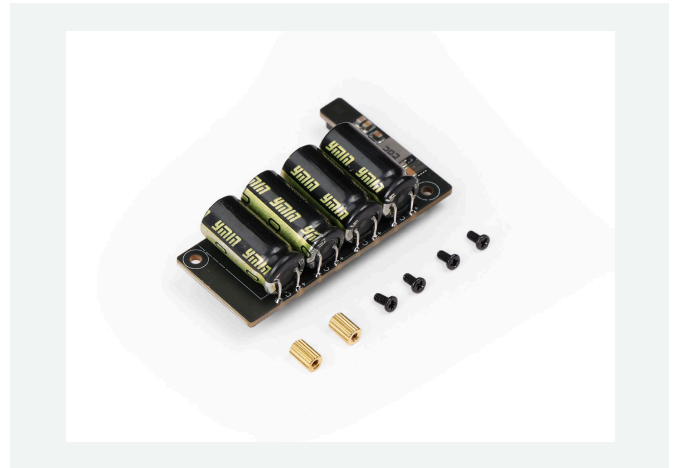
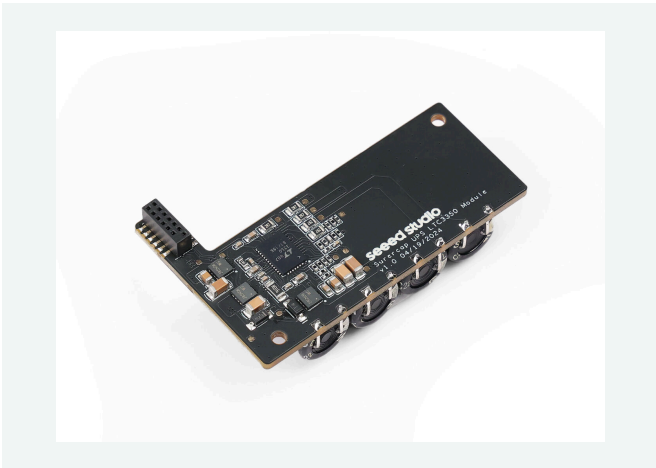
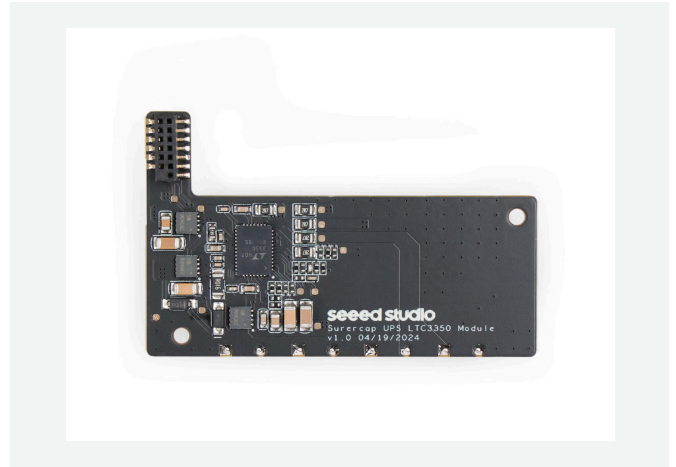
The SuperCAP UPS LTC3350 Module provides seamless integration and robust power backup for safe shutdown of reComputer R10/R11 and Industrial R20/R21/R22 series. It features an LTC3350 controller, four 7F supercapacitors, and smart power management with real-time diagnostics.

# Key Features

---

- **LTC3350 Controller:** Utilizes the reliable LTC3350 high current supercapacitor backup controller and system monitor for efficient energy storage and management.
- **Supercapacitor Configuration:** Includes four 7F supercapacitors in series for stable and long-lasting power supply during outages.
- **Seamless Integration:** Designed for easy integration with the reComputer **R10/R11** & Industrial **R20/R21/R22** series, ensuring compatibility and system protection.
- **Robust Power Backup:** Provides dependable backup power to prevent data loss and hardware damage during power interruptions.
- **Smart Power Management:** Features an integrated system monitor for real-time feedback, diagnostics, and efficient power management.

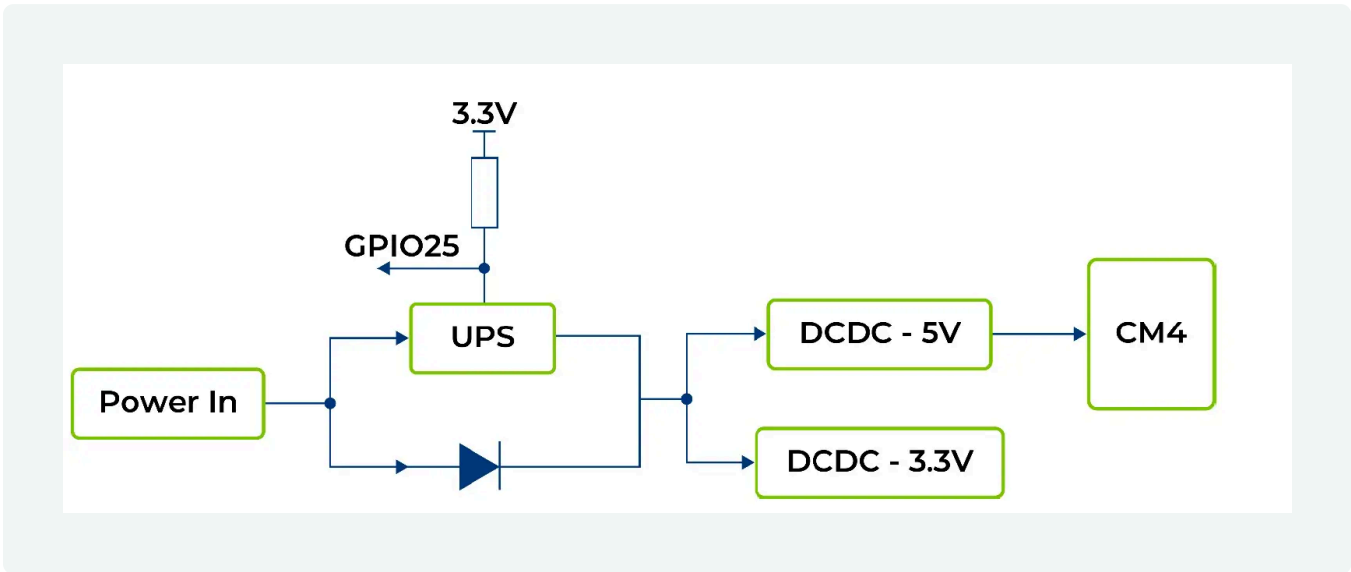
# Product Gallery



## Specification

Controller	LTC3350 high current supercapacitor backup controller and system monitor
Supercapacitors	4 x 7F/2.7V supercapacitors in series
charging method	Synchronous Step-Down CC/CV
Compatibility	Designed for reComputer R10/R11 & Industrial R20/R21/R22 series
PF0(alarm signal)	active LOW UPS for reComputer R10/R11 & Industrial R20/R21/R22 safe shut down High Current 12V Ride-Through UPS Servers/Mass Storage/High Availability Systems

# Hardware Overview



Mode of Operation	Time(s)	Remark
Idle	37	Testing under idle conditions with official driver program loaded
Full load of CPU	18	stress -c 4 -t 10m -v &

# Applications

- **reComputer & Industrial UPS safe shutdown:** UPS for reComputer R10/R11 & Industrial R20/R21/R22 safe shut down
- **High Current 12V Ride-Through UPS**
- **Servers/Mass Storage/High Availability Systems**

## Part List

SuperCAP UPS LTC3350 Module	x1
-----------------------------	----

## Compliance & Logistics

HSCODE	8538900000
USHSCODE	8538901000
UPC	
EUHSCODE	8543709099
COO	CHINA

## Resource Links

- <https://www.seeedstudio.com/SuperCAP-UPS-LTC3350-Module-p-5934.html>
- [SuperCAP UPS LTC3350 Module\\_SCH\\_PDF](#)
- [UPS Datasheet](#)

**Seeed Technology Co.,Ltd.**  
9F, Building G3, International E City,  
Zhongshanyuan Road, Nanshan, Shenzhen, China

**Tel:** +86 0755-80695676  
**Web:** [www.seeed.cc](http://www.seeed.cc)  
**Shop:** [www.seeedstudio.com](http://www.seeedstudio.com)